

# GIANT

TOBROCO *team*

Industrielaan 2, 5061 KC Oisterwijk

Tel.: +31 (0)13-5211212

Fax: +31 (0)13-5234045

Internet: [www.tobroco-giant.com](http://www.tobroco-giant.com)

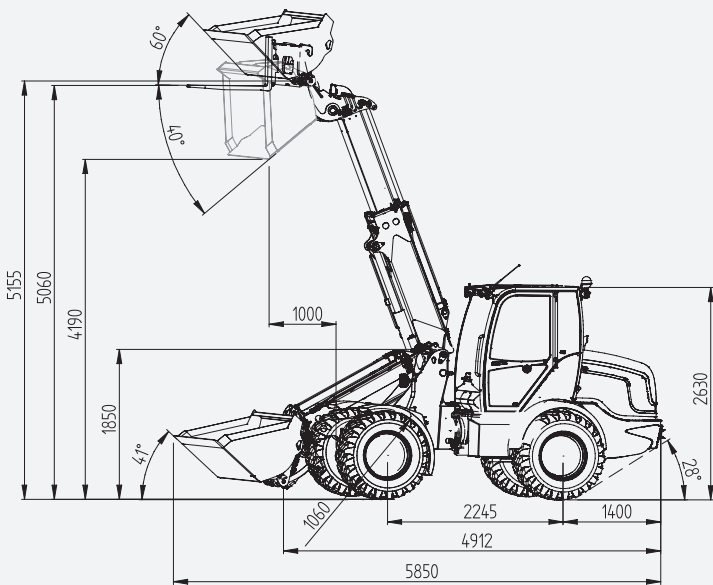
E-Mail: [info@tobroco.com](mailto:info@tobroco.com)



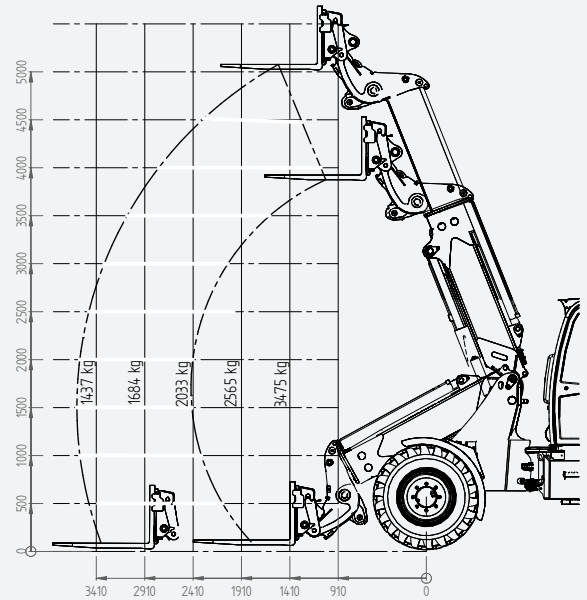
V501 TELE  
V761T TELE

TELESCOPIC  
WHEEL LOADERS

## TECHNICAL DATA



## TIPPING LOAD DIAGRAM



### V501 TELE

Engine	DEUTZ D 2.9 L04 (4 cylinder), 50 HP / 36 kW Stage IIIA
Weight	5.900 kg
Tipping load	See tipping load diagram
Lifting height	5.159 mm
Driving hydraulics	Bosch Rexroth 150 L/min (480 bar)
Working hydraulics	80 L/min (250 bar)
Tires	405/70-20 16PR AS
Driving speed	25 km/h
Parking brake	Hydraulic disk brake SAHR
Attachment bracket	GIANT LARGE hydraulic (800 mm)

### V761T TELE

Engine	DEUTZ TD 2.9 L04 (4 cylinder), 76 HP / 55,6 kW Stage IIIB / Tier 4 Final
Weight	6.000 kg
Tipping load	See tipping load diagram
Lifting height	5.159 mm
Driving hydraulics	Bosch Rexroth 150 L/min (480 bar)
Working hydraulics	80 L/min (250 bar) (Option: LS 105 L/Min and LS 145 L/Min)
Tires	405/70-20 16PR AS
Driving speed	25 km/h (Option: 35 km/h)
Parking brake	Hydraulic disk brake SAHR
Attachment bracket	GIANT LARGE hydraulic (800 mm)

## TIRES



TYPE	SIZE	TOTAL WIDTH
AS	405x70-20	1.800 mm
AS	12,5-20 MPT-01	1.720 mm
EM	405x70R18 EM-01	1.800 mm
EM	405x70R20 EM-01	1.800 mm
GSP	500x45-22,5	1.890 mm
AS	600x40-22,5 TR12	2.080 mm

## MANY OPTIONS

- ✓ MANY HYDRAULIC OPTIONS AVAILABLE
- ✓ FLOW SHARING
- ✓ HIGH OIL FLOW THROUGH LOAD SENSING
- ✓ VARIOUS TIRES
- ✓ HITCH WITH BRAKE VALVE
- ✓ AIR CONDITIONING
- ✓ VARIOUS COLORS
- ✓ DEALER SERVICE KIT
- ✓ INTEGRATED COUNTERWEIGHT
- ✓ ENGINE MOUNTED ON SILENT BLOCKS
- ✓ STANDARD GIANT LARGE HYDR. ATTACHMENT BRACKET

MORE INFO? VISIT:  
[WWW.TOBROCO-GIANT.COM](http://WWW.TOBROCO-GIANT.COM)

Data is subject to change